

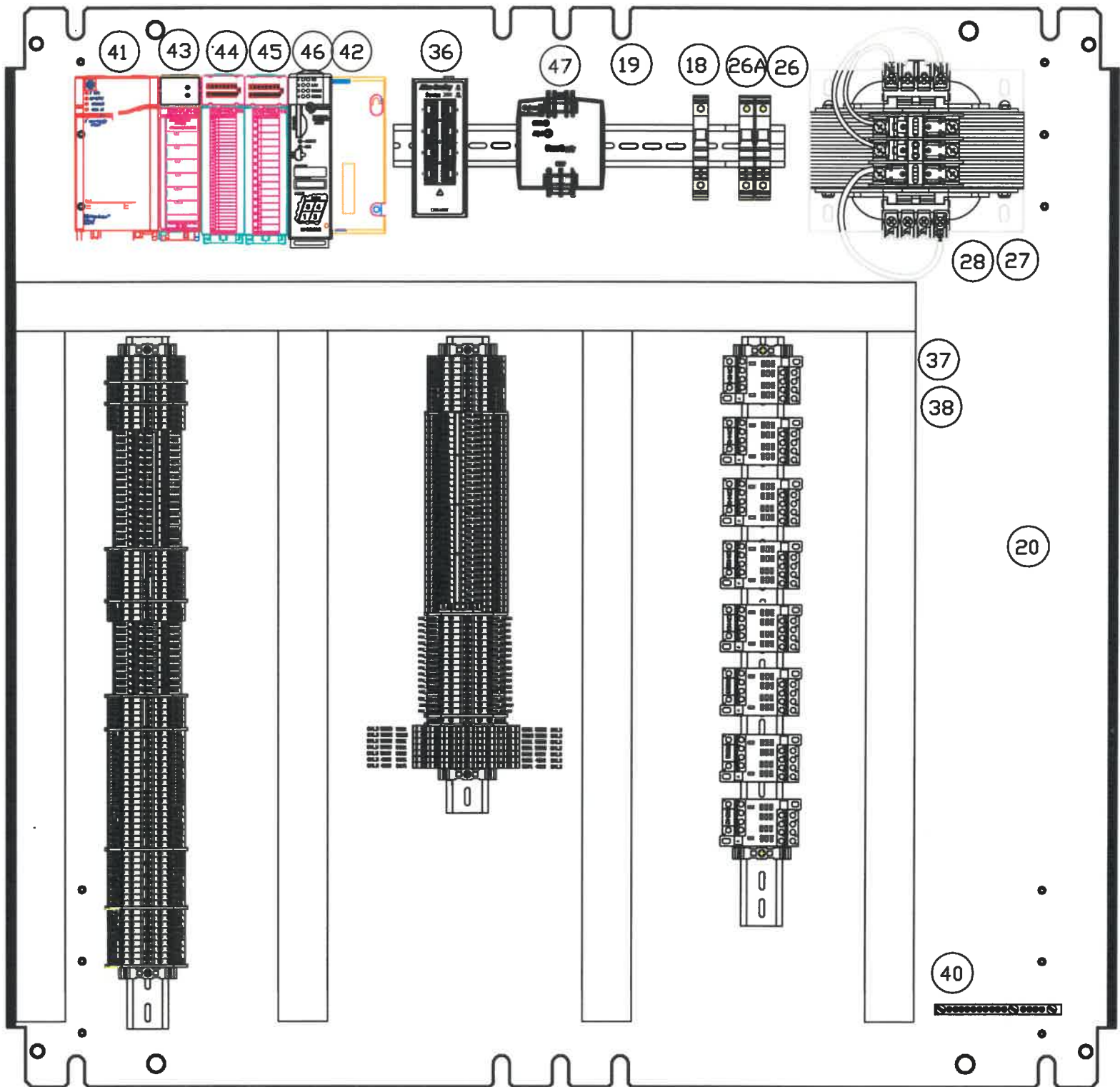
## **APPENDIX B**

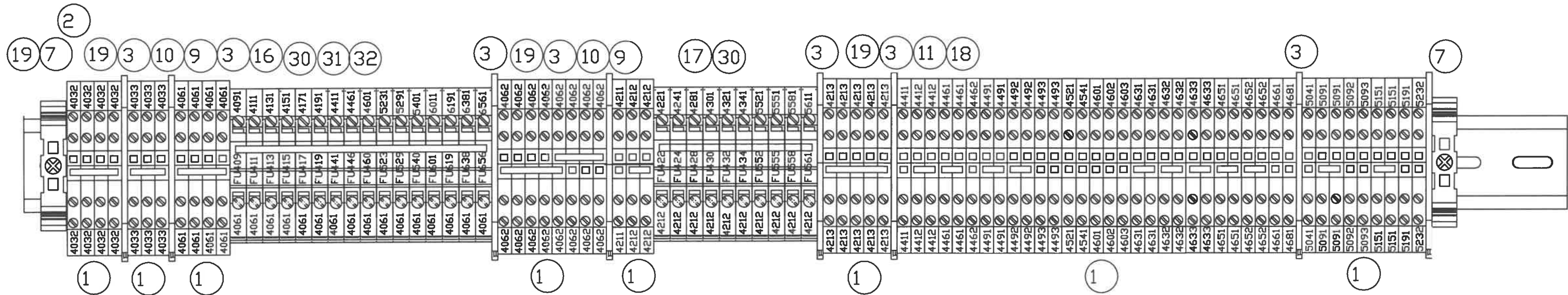
**City of Dayton Ottawa WTP Filter Console Panel Layout.pdf**

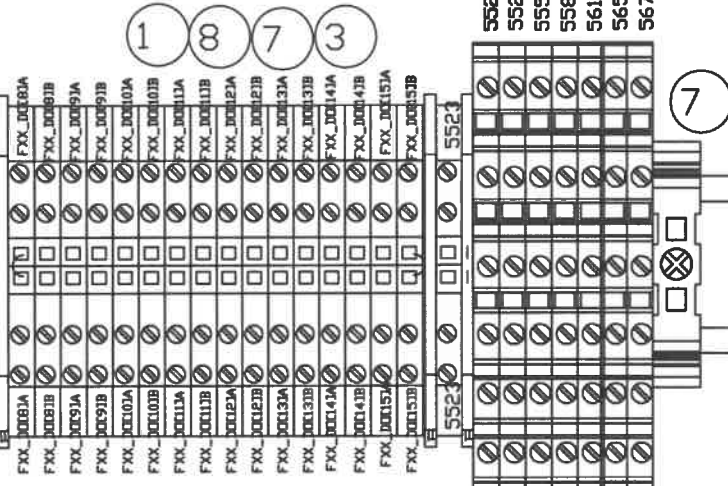
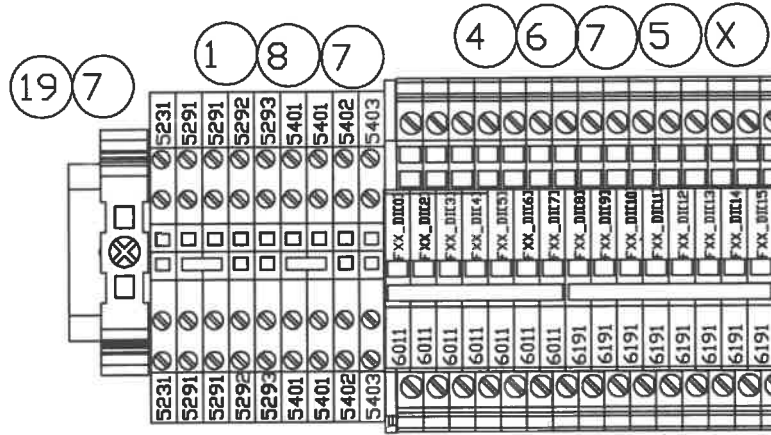
**City of Dayton Ottawa WTP Filter Console Panel Terminal Layout AA.pdf**

**City of Dayton Ottawa WTP Filter Console Panel Terminal Layout BB.pdf**

**City of Dayton Ottawa WTP Filter Console Panel Terminal Layout CC.pdf**





FXX is replaced with the Filter Number Filter 1 is F01

FXX is replaced with the Filter Number Filter 1 is F01

SHLD 5521 5521  
 SHLD 5522 5523  
 SHLD 5552 5551  
 SHLD 5582 5581  
 SHLD 5613 5612  
 SHLD 4213 5651  
 SHLD 4213 5671

5521 5522 SHLD  
 5523 5522 SHLD  
 5551 5552 SHLD  
 5581 5582 SHLD  
 5612 5613 SHLD  
 5651 4213 SHLD  
 5671 4213 SHLD

